

<- Back

Forward ->

Document ID# 885022
2003 Chevrolet Chevy Suburban - 4WD

Print

Rear Wheel Steering Connector End Views

Table 1: [Combination Yaw Rate Sensor/Lateral Accelerometer Sensor](#)

Table 2: [Rear Wheel Steering Mode Select Switch](#)

Table 3: [Rear Wheel Steering Control Module - C1](#)

Table 4: [Rear Wheel Steering Control Module - C2](#)

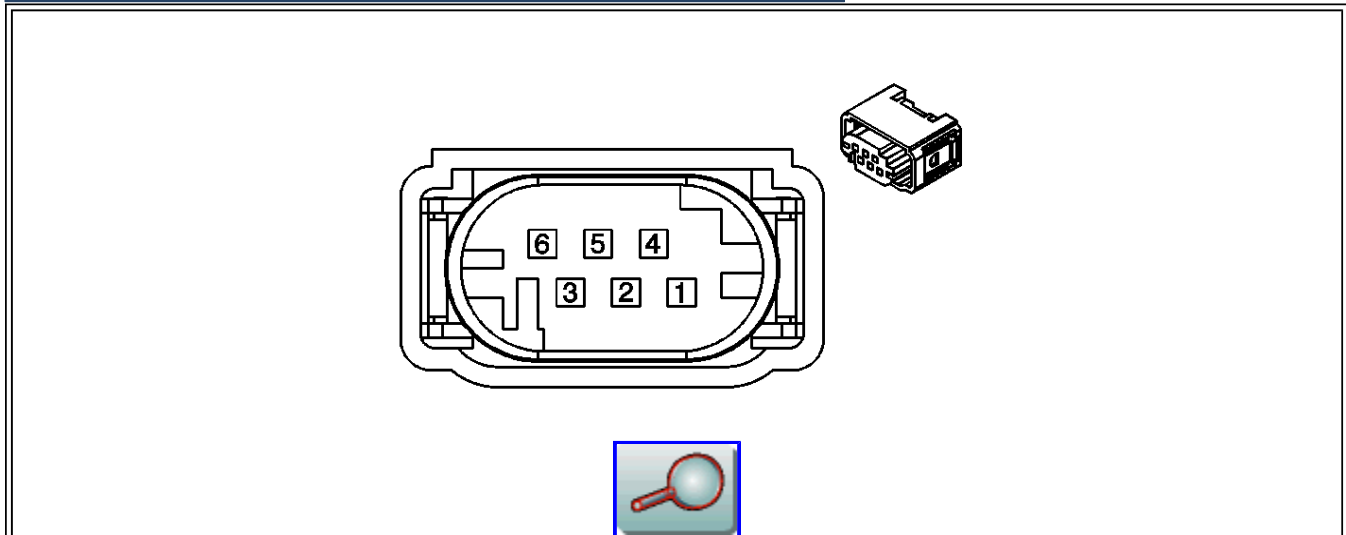
Table 5: [Rear Wheel Steering Control Module - C3](#)

Table 6: [Rear Wheel Steering Module - C4](#)

Table 7: [Rear Wheel Position Sensor](#)

Table 8: [Steering Wheel Speed/Position Sensor](#)

Combination Yaw Rate Sensor/Lateral Accelerometer Sensor

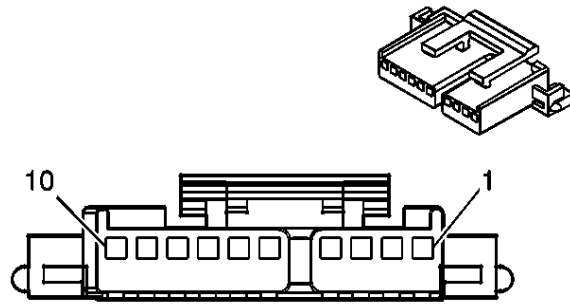


Connector Part Information

- 15421324
- 6-Way F MQS Sealed (GRY)

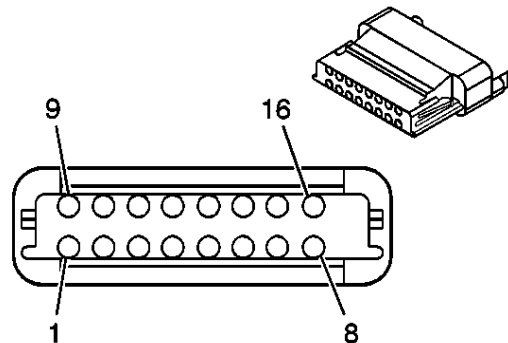
Pin	Wire Color	Circuit No.	Function
1	DK GRN	2087	Steering Wheel Position Sensor 5 Volt Reference
2	LT BLU	715	Lateral Accelerometer Signal
3	DK BLU	716	Yaw Rate Sensor Signal
4-5	--	--	Not Used
6	LT BLU	2088	Steering Wheel Position Sensor Low Reference

Rear Wheel Steering Mode Select Switch



Connector Part Information		<ul style="list-style-type: none"> • 12047531 • 10-Way F Micro-Pack 100 Series (BLK) 	
Pin	Wire Color	Circuit No.	Function
1	--	--	Not Used
2	ORN	2538	4 Wheel Steer Trailer Mode Indicator Supply Voltage
3	LT BLU	2568	2 Wheel Steer Mode Indicator Supply Voltage
4	TAN	2569	4 Wheel Steer Mode Indicator Supply Voltage
5	BRN/WHT	230	Instrument Panel Lamps Dimming Control
6	BLK	1050	Ground
7	--	--	Not Used
8	PPL/WHT	1382	LED Dimming Supply
9	DK GRN/WHT	2891	Rear Wheel Steering Mode Select Switch Signal
10	DK BLU	2544	Rear Wheel Steering Mode Select Switch 5 Volt Reference

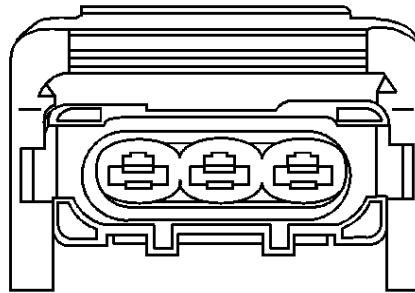
Rear Wheel Steering Control Module - C1



Connector Part Information		<ul style="list-style-type: none"> • 12191065 • 16-Way F Micro-Pack 100 Series (BLU) 	
-----------------------------------	--	--	--

Pin	Wire Color	Circuit No.	Function
1	YEL	2556	Rear Wheel Steering Motor Actuator Hall A Signal
2	BRN	2557	Rear Wheel Steering Motor Actuator Hall B Signal
3	BLK	2559	Rear Wheel Steering Motor Hall Sensor Ground
4	DK BLU	2564	Rear Wheel Position sensor Position 2 signal
5	RED	1444	Rear Wheel Steering Motor Hall Sensor 12 Volt Reference
6	GRY	2566	Rear Wheel Steering Motor Shorting Relay Ground
7-8	--	--	Not Used
9	LT BLU	2558	Rear Wheel Steering Motor Actuator Hall C Signal
10	ORN	2565	Rear Wheel Steering Motor Shorting Relay Voltage
11	TAN	2560	Rear position Sensor Ground
12	DK GRN	2563	Rear Wheel Position Sensor Position 1 Signal
13	WHT	605	5 Volt Reference
14-16	--	--	Not Used

Rear Wheel Steering Control Module - C2

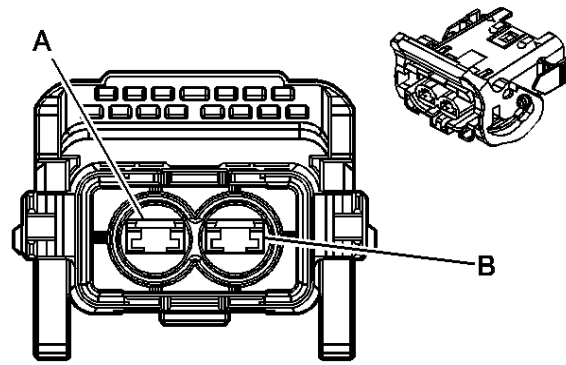


Connector Part Information

- 15355393
- 3-Way F Mini-Fit Jr (BLK)

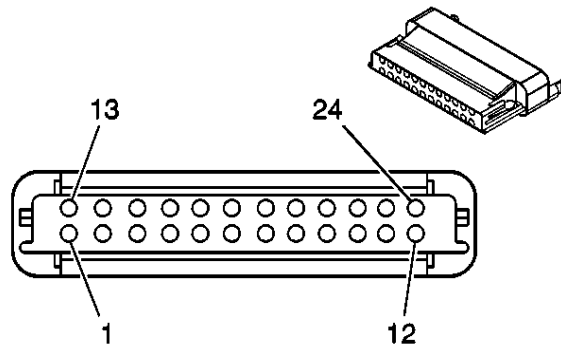
Pin	Wire Color	Circuit No.	Function
A	RED	2545	Rear Wheel Steering Motor Actuator Phase A Control
B	DK BLU	2546	Rear Wheel Steering Motor Actuator Phase B Control
C	ORN	2547	Rear Wheel Steering Motor Actuator Phase C Control

Rear Wheel Steering Control Module - C3



Connector Part Information		<ul style="list-style-type: none"> • 15355404 • 2-Way F Maxi 800 Sealed (BLK) 	
Pin	Wire Color	Circuit No.	Function
A	BLK	1750	Ground
B	RED	1042	Battery Positive Voltage

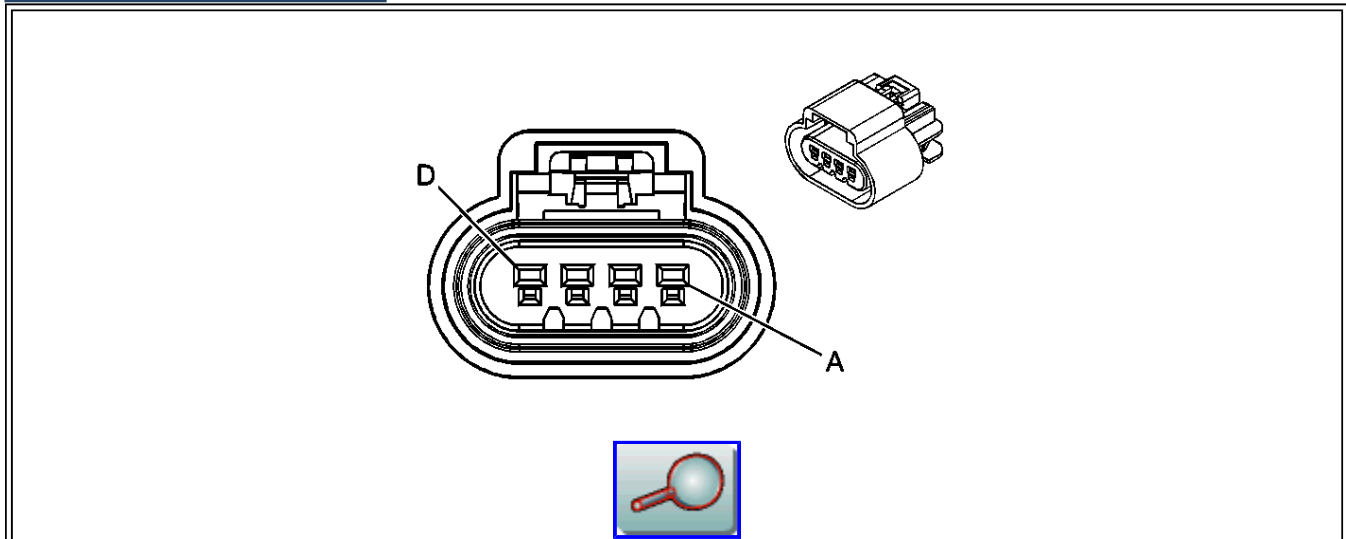
Rear Wheel Steering Module - C4



Connector Part Information		<ul style="list-style-type: none"> • 12129225 • 24-Way F Micro-Pack 100 Series, Sealed (GRY) 	
Pin	Wire Color	Circuit No.	Function
1	LT GRN	1763	Steering Wheel Position Sensor Phase A Signal
2	LT BLU	1764	Steering Wheel Position Sensor Phase B Signal
3	LT BLU	2088	Steering Wheel Position Sensor Low Reference
4	DK BLU	2544	Rear Wheel Steering Mode Select Switch 5 Volt Reference
5	--	--	Not Used
6	DK GRN/WHT	817	Vehicle Speed Signal

7	BRN	541	Ignition 3 Voltage
8	DK BLU	716	Yaw Rate Sensor Signal
9	DK GRN/WHT	2891	Rear Wheel Steering Mode Select Switch Signal
10-12	--	--	Not Used
13	WHT	1765	Steering Wheel Position Marker Pulse Signal
14	--	--	Not Used
15	DK GRN	2087	Steering Wheel Position Sensor 5 Volt Reference
16	LT BLU	2568	2 Wheel Steer Mode Indicator Supply Voltage
17	TAN	2569	4 Wheel Steer Mode Indicator Supply Voltage
18	--	--	Not Used
19	ORN	2538	4 Wheel Steer Trailer Mode Indicator Supply Voltage
20	LT BLU	715	Lateral Accelerometer Signal
21-22	--	--	Not Used
23	ORN	2640	Battery Positive Voltage
24	GRY	2567	Rear Wheel Steering Module Class 2 Serial Data

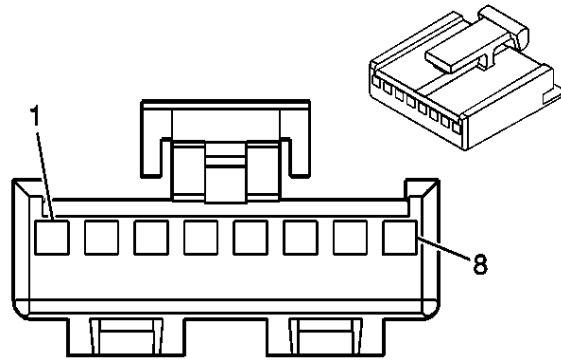
Rear Wheel Position Sensor



Connector Part Information		<ul style="list-style-type: none"> • 15326815 • 4-Way F GT 15 Sealed 4.0 (BLK) 	
Pin	Wire Color	Circuit No.	Function
A	WHT	605	5 Volt Reference
B	DK GRN	2563	Rear Wheel Position Sensor Position 1 Signal
C	TAN	2560	Rear Position Sensor Ground
D	LT BLU	2564	Rear Wheel Position Sensor Position 2 Signal

Steering Wheel Speed/Position Sensor





Connector Part Information

- 12052444
- 8-Way F Micro-Pack 100 Series (BLK)

Pin	Wire Color	Circuit No.	Function
1	GRY	1056	Steering Wheel Position Sensor 5 Volt Reference Voltage
2	BLK	1835	Security System Sensor Low Reference
3	LT GRN	1763	Steering Wheel Position Sensor Phase A Signal
4	LT BLU	1764	Steering Wheel Position Sensor Phase B Signal
5	WHT	1765	Steering Wheel Position Marker Pulse Signal
6	LT BLU	1059	Steering Wheel Position Sensor Signal
7	PNK	41	Ignition 3 Voltage
8	BLK	1851	Ground

<- Back

Forward ->

Document ID# 885022
2003 Chevrolet Chevy Suburban - 4WD

Print