

<- Back

Forward ->

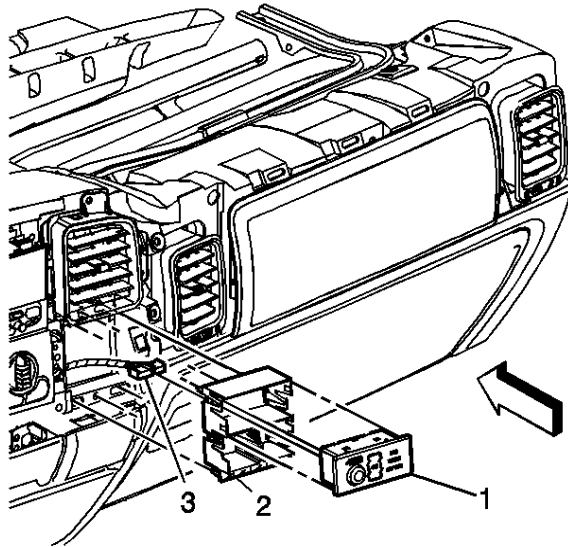
Document ID# 742521
2003 Chevrolet Chevy Suburban - 4WD

Print

Rear Wheel Steering Mode Switch Replacement

Removal Procedure

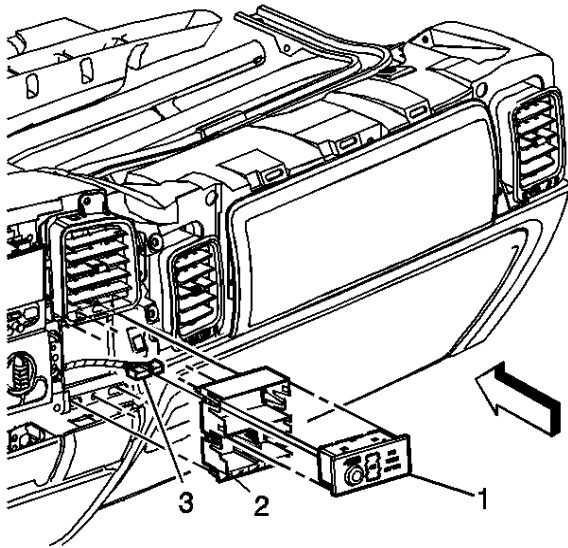
1. Remove the dash trim bezel. Refer to [Bezel Replacement - Instrument Panel \(I/P\) Cluster](#) in Instrument Panel, Gages and Console.



2. Grasp the rear wheel steering mode switch housing (2) and pull outward to remove the switch assembly.
3. Disconnect the electrical connector (3) from the rear wheel steering mode switch.
4. Remove the rear wheel steering mode switch assembly (1) from the vehicle.

Installation Procedure

1. Reconnect the rear wheel steering mode switch (3) electrical connectors.



2. Install the rear wheel steering mode switch (1) into the dash.
3. Reinstall the dash trim bezel. Refer to [Bezel Replacement - Instrument Panel \(I/P\) Cluster](#) in Instrument Panel, Gages and Console.

<- Back

Forward ->

Document ID# 742521
2003 Chevrolet Chevy Suburban - 4WD

Print