

<- Back

Forward ->

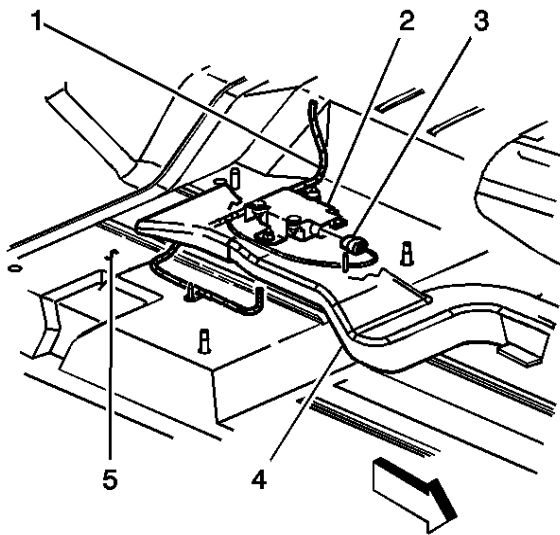
Document ID# 791850
2003 Chevrolet Chevy Suburban - 4WD

Print

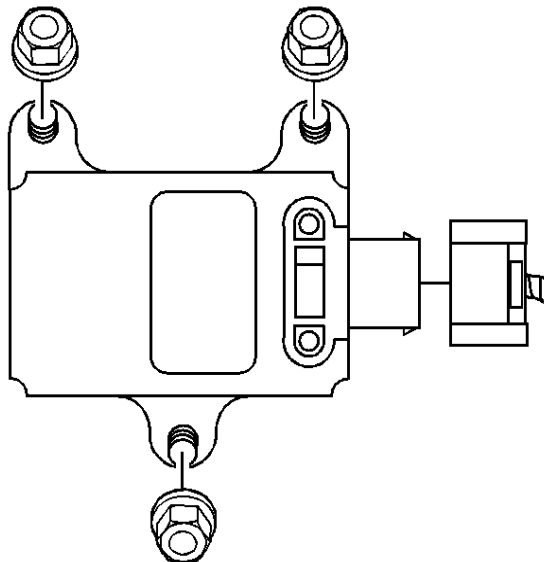
Yaw Rate Sensor/Lateral Accelerometer Replacement

Removal Procedure

1. Remove the passenger seat from the vehicle. Refer to [Seat Replacement - Front Bucket](#) .
2. Pull the carpet back to gain access to the sensor.



3. Remove the nuts retaining the yaw rate sensor/lateral accelerometer (2) to the vehicle.



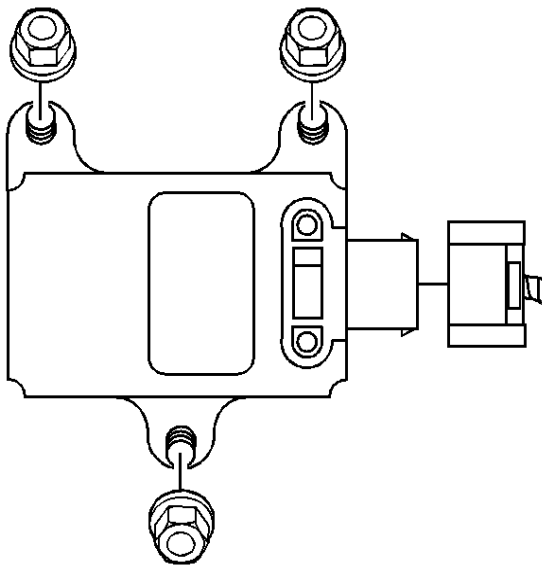


4. Disconnect the electrical connector from the yaw rate sensor/lateral accelerometer.
5. Remove the yaw rate sensor/lateral accelerometer from the vehicle.

Installation Procedure

Important

Use care not to bend or distort the bracket that supports the yaw rate sensor/lateral accelerometer.

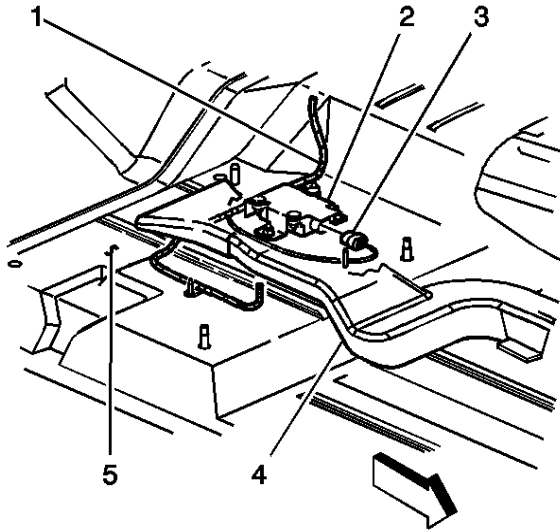


1. Install the yaw rate sensor/lateral accelerometer to the vehicle.

Notice

Use the correct fastener in the correct location. Replacement fasteners must be the correct part number for that application. Fasteners requiring replacement or fasteners requiring the use of thread locking compound or sealant are identified in the service procedure. Do not use paints, lubricants, or corrosion inhibitors on fasteners or fastener joint surfaces unless specified. These coatings affect fastener torque and joint clamping force and may damage the fastener. Use the correct tightening sequence and specifications when installing fasteners in order to avoid damage to parts and systems.

2. Install the nuts retaining the yaw rate sensor/lateral accelerometer (2) to the vehicle. **Tighten**
Tighten the nuts to 10 N·m (89 lb in).



3. Connect the electrical connector (3) to the yaw rate sensor/lateral accelerometer.
4. Install the carpet.
5. Install the passenger seat to the vehicle. Refer to [Seat Replacement - Front Bucket](#) .
6. Complete the lateral accelerometer procedure.

Learn Lateral Accelerometer Procedure

- A. Turn the ignition ON.
- B. Install the scan tool.
- C. Go to Rear Wheel Steering menu choice in the scan tool.
- D. Go to Special Functions menu choice in the scan tool.
- E. Go to Learn Lateral Accelerometer menu choice in the scan tool and complete the procedure.

<- Back

Forward ->

Document ID# 791850
2003 Chevrolet Chevy Suburban - 4WD

Print